

# CBD20/25/30

## Electric Ride-on Pallet Truck

**Popular**

### Advantages Configuration and Performance

- Electronic power steering system, light and low noise.
- Drive unit floating bodies with patent design.
- AC Driving system, No carbon brush, maintenance free.
- Electromagnetic, regenerative braking system.
- Automatic lifting limit, extend the life of the battery and motor.
- Side-way battery, easy to replace.

### Safety

- Curve automatic deceleration devices, more safe.
- Stepless speed control system, safe and quiet.
- Controller with Multiple automatic protection.
- Emergency reversing device/Emergency brake switch.



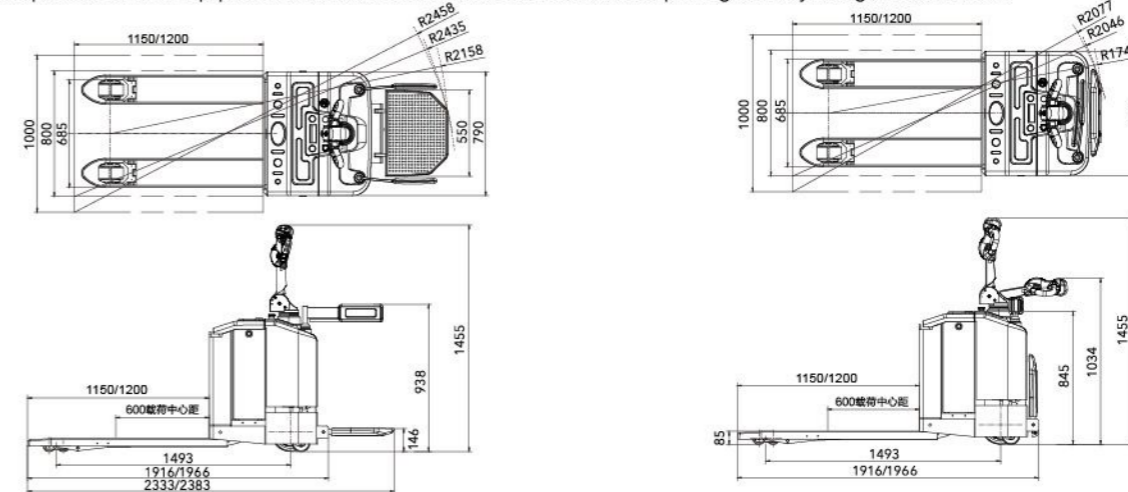
Side-loaded battery EPS/AC

Steering automatic deceleration

# HELI CBD20/25/30-460

Feature		
Model		CBD20/25/30
Configuration No.		460
Loading capacity	kg	2000/2500/3000
Load center	mm	600
Wheel base	mm	1493
Operating type		Ride On
Wheels		
Wheels type		PU
Wheel quantity Driving wheel/Balance wheel/Bearing wheel		1/2/4
Driving wheel size	mm	∅248×75
Bearing wheel size	mm	∅84×80(Double wheels)
Balance wheel size	mm	∅115×55
Dimension		
Min.fork lowered height	mm	85
Max.fork lifting height	mm	205
Max.lifting height	mm	120
Overall fork width	mm	550/600/650/685
Inside width between forks	mm	210/260/310/345
Fork length	mm	1150/1200
Fork width	mm	170
Fork thickness	mm	75
Overall length	mm	1916/2333
Overall width	mm	790
Overall height(With handle)	mm	1455
Overall height(Without handle)	mm	845
Min.Turning radius	mm	1746/2158
Min.Aisle width for pallets 800×1200	mm	2046/2435
Min.Aisle width for pallets 1000×1200	mm	2077/2458
Performance		
Travel speed,laden/unladen	km/h	6/6
Lift speed,laden/unladen	mm/s	30/35
Lowering speed,laden/unladen	mm/s	40/35
Gradeability,laden/unladen	%	6/16
Electrical configuration		
Drive motor	kW	AC 1.5
Lift motor	kW	DC 1.2
Steering motor	kW	DC 0.15
Battery voltage / capacity	V/Ah	24/270
Brake		Electromagnetic/Regenerative
Controller		ZAPI (Option CURTIS)
Weight		
Battery weight	kg	247
Service weight with battery	kg	831

\* Details of specifications and equipment are based on information available at time of printing and may change without notice.



### ANHUI HELI CO., LTD.

ADD: NO.668 Fangxing Street, Economical Development Zone, Hefei, P.R.China  
 TEL: (86 551)63639068 (America) 63639258 (Europe) 63639358 (Asia)  
 63662105 (Africa & Middle East) 63639530 (Key Accounts division)  
 63662105 (Wheel loader)  
 FAX: (86 551)63639966  
 WEBSITE: <http://www.heliforklift.net>  
 Email: heli@helichina.net

AUTHORIZED DEALER