

PREMIA ES

PLATFORM POWER PALLET & DOUBLE PALLET HANDLER

*Ready to Perform
To Your Applications*

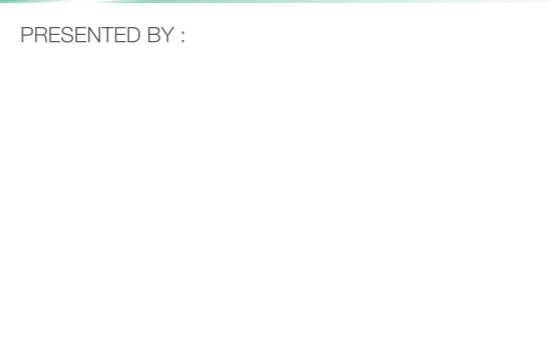


www.mitforklift.com.sg

© 2019 by MLAP. All Rights Reserved. All registered trademarks are the property of their respective owners. Printed in Singapore.

FMIT0162(01/19)

PRESENTED BY :



PBV20N2/ND/PBF25N2 Series

2.0-2.5 TON



Note: Performance specifications may vary depending on standard manufacturing tolerances, vehicle condition, types of tyres, floor or surface conditions, applications or operating environment. Trucks may be shown with non-standard options. Specific performance requirements and locally available configurations should be discussed with your Mitsubishi forklift truck dealers. Mitsubishi Forklift Trucks follows a policy of continual product improvement. For this reason, some materials, options and specifications could change without notice.

Engineered for Action...

Ready for every Challenge



Sealed, protected, and specifically designed for low maintenance needs in every system, PREMIA EM platform power pallet trucks are built to cope with the most demanding of conditions. In spite of uneven ground, splashing water, dust and rough treatment, they just keep on working. With intuitive handling via the simple-to-use tiller arm, from the safety and comfort of the ergonomic platform, your operator is always secure, confident and in full control.

Steering System

- **Small turning circle** together with compact chassis and excellent visibility means exceptional manoeuvrability.
- **State-of-the-art tiller arm** offers the ultimate in ergonomic design, comfort and safety.



Brakes

- **Regenerative braking** gives effective control, without brake wear, and extends shift life.
- **Parking brake** is automatically activated, when necessary, for extra safety on ramps.



Drive

- **Powerful, sealed motor** and Vulkollan drive wheel ensure long component life.
- **Oil-filled, sealed transmission** is shock-resistant, quiet and requires little maintenance.
- **Floating drive unit** reduces vibration, for greater operator comfort and lower maintenance requirements.
- **Dust-shielded load wheels** require less maintenance and replacement of components.

Hydraulics

- **Rapid lift and lowering speeds** improve productivity.

Electrical and Control Systems

- **New generation, multi-function controller** governs both drive and lift for smooth, quiet control with fewer components to maintain.
- **Full programmability** allows adjustment of acceleration, travel speed and braking to suit the application and operator – for greater versatility.
- **On-board diagnostics** and fault memory folder speed up servicing and help prevent damage.
- **Waterproof wiring and connectors** combine with closed battery compartment and channelling of splashed water to prevent system failure and corrosion.
- **Versatile battery compartment** accommodates DIN and BS size batteries with a variety of capacities for maximum compatibility with user's equipment needs. (PBV20N2 and PBF25N2 only.)
- **High capacity batteries** deliver 375Ah as standard and up to 500Ah on PBF25N2 to extend shifts.

Frame and Body

- **Closed chassis** offers protection against dirt, dust and other particles to reduce wear.
- **High stability** is ensured by use of two castor wheels – next to the central drive wheel – in addition to the two load wheels.
- **RapidAccess features** allow quick and easy entry to all areas for checks and maintenance.

Forks

- **High-strength forks** offer durable, welded construction with rounded tips for easy pallet entry.
- **Market-leading lift height** of 135 mm allows easy handling on steep ramps and loading docks, even with damaged pallets. (PBV20N2 / PBF25N2 only.)
- **Compact duplex mast** offers two lift heights (1600 and 2000 mm), with maximum load capacity 2000 kg (or 1000 kg on each pair of forks), and gives optimal forward visibility. (PBV20ND only.)



LARGE SUSPENSION PLATFORM



Operator Environment and Controls

- **Large, suspended platform** stays down for easier access and – together with high-positioned, cushioned sidebars – provides a safe, ergonomic standing position.
- **High-grip rubber matting** prevents slips and gives cushioned support.
- **Choice of performance modes** via key switch enhances safety, energy efficiency and productivity. (PBV20N2 and PBF25N2 only.)
- **Optional ergonomic levers** allow operators to raise and lower loads with ease – even when wearing gloves.
- **Creep speed function and tiller arm lock bypass** maximise safety and control in confined spaces.
- **Easy-to-operate controls** reduce operator fatigue and minimise mistakes to enhance safety.
- **Maxius steering wheel** offers the ultimate in ergonomics, comfort and design, with all operating controls easy in reach. (PBF25N2 only.)
- **Side-stance operating position** requires minimal upper body and neck movement, reducing operator strain. (PBF25N2 only.)
- **Battery discharge indicator** is fitted as standard for battery protection and monitoring of truck use.
- **Multifunctional display** alerts operators and service engineers to potential problems – helping to avoid damage and encourage maintenance.



COMPACT
DUPLEX MAST



Options include:

- **PIN-code device** instead of key switch
- **Higher travel speed** – 12 km/h – with loads up to 600 kg
- **Cold storage modification** (class III, -35°C)
- **Wide variety of fork dimensions**
- **Customer name/logo/artwork** on side panels
- **Load backrest**
- **Choice of drive and load wheels** for different applications
- **Pallet entry and exit rollers**
- **Large lifting/lowering levers**
- **Equipment bar for mounting accessories**
- **Space for 500 Ah battery** (PBF25N2 only)



SPECIFICATIONS

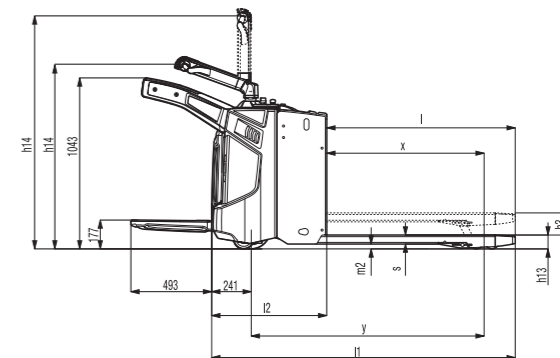
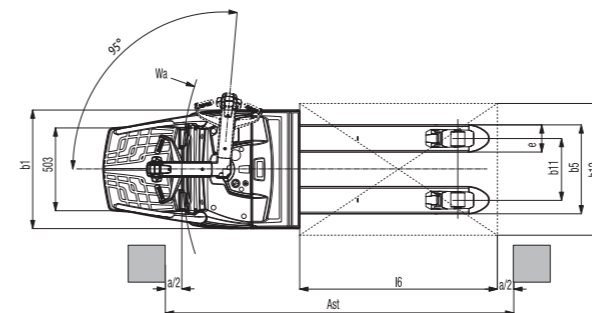
Characteristics			Mitsubishi	Mitsubishi	Mitsubishi
1	Manufacturer (abbreviation)		Mitsubishi	Mitsubishi	Mitsubishi
2	Manufacturer's model designation		PBV20N2	PBV20ND	PBF25N2
3	Power source (battery, diesel, LP gas, petrol)		Battery	Battery	Battery
4	Operator type: pedestrian, (operator)-standing, -seated		Pedestrian / Stand-on	Pedestrian / Stand-on	Pedestrian / Stand-on
5	Load capacity	Q (kg)	2000	1600 / 1000+1000	2500
6	Load centre distance	c (mm)	600	600	600
7	Load wheel axle to fork face (forks lowered)	x (mm)	960	946	960
8	Wheelbase	y (mm)	1421	1553	1501
Weight					
9	Truck weight with maximum battery weight	(kg)	660	1270 ⁽²⁾	787
10	Axle loadings with nominal load & maximum battery weight, drive/load side	(kg)	950 / 1710	1270 / 2000 ⁽²⁾	1155 / 2144
11	Axle loadings without load & with maximum battery weight, drive/load side	(kg)	535 / 125	920 / 350 ⁽²⁾	640 / 147
Wheels, Drive Train					
12	Tyres: PT=Power Thane, Vul=Vulkollan, drive/load side		Vul/Vul	Vul/Vul	Vul/Vul
13	Tyre dimensions, drive side	(mm)	85 x 75	85 x 75	85 x 75
14	Tyre dimensions, load side	(mm)	230 x 70	230 x 70	230 x 70
15	Casor wheel dimensions (diameter x width)	(mm)	125 x 55	150 x 50	125 x 55
16	Number of the wheels drive/load side (x=driven)		2+1x / 4	2+1x / 4	2+1x / 4
17	Track width (centre of tyres), drive side	b10 (mm)	480	570	480
18	Track width (centre of tyres), load side	b11 (mm)	375	385	375
Dimensions					
19	Lift height	h3 (mm)	135	1600 / 2000	135
20	Seat or stand height	h7 (mm)	177	145	170
21	Height of tiller arm / steering console (min/max)	h14 (mm)	1180 / 1350	1141 / 1341	1143 / 1290
22	Fork height, fully lowered	h13 (mm)	85	92	85
23	Overall length, platform up/down	l1 (mm)	1852 ⁽³⁾ / 2346 ⁽³⁾	2037 / 2493	2277 ⁽⁴⁾
24	Length to fork face, platform up/down	l2 (mm)	702 ⁽³⁾ / 1195 ⁽³⁾	887 / 1343	1127 ⁽⁴⁾
25	Overall width	b1/b2 (mm)	720	790	720
26	Fork dimensions (thickness, width, length)	s/e/l (mm)	55 / 165 / 1150	56 / 85 / 1150	55 / 165 / 1150
27	Outside width over forks	b5 (mm)	540	570	540
28	Ground clearance, centre of wheelbase (forks lowered)	m2 (mm)	30	25	29
29	Working aisle width (Ast) with 1000 x 1200 mm pallet, load crosswise, platform up/down	Ast (mm)	1920 ⁽³⁾ / 2400 ⁽³⁾	2104 / 2543	2395 ⁽⁴⁾
30	Working aisle width (Ast) with 800 x 1200 mm pallet, load lengthwise, platform up/down	Ast (mm)	2120 ⁽³⁾ / 2600 ⁽³⁾	2304 / 2743	2595 ⁽⁴⁾
31	Turning circle radius	Wa (mm)	1680 ⁽³⁾ / 2160 ⁽³⁾	1850 / 2289	2155 ⁽⁴⁾
Performance					
32	Travel speed, with/without load	(km/h)	9.0 / 9.0 (12.0) ⁽¹⁾	8.5 / 8.5	9.0 / 12.0
33	Lifting speed, with/without load	(m/s)	0.035 / 0.05	0.15 / 0.22	0.03 / 0.05
34	Lowering speed, with/without load	(m/s)	0.045 / 0.05	0.26 / 0.21	0.07 / 0.08
35	Gradeability, with/without load	(%)	9 / 25	7 / 15	9 / 20
36	Service brakes (mechanical/hydraulic/electric/pneumatic)		Electric	Electric	Electric
Electric Motors					
37	Drive motor capacity (60 min. short duty)	(kW)	2.3	2.0	2.3
38	Lift motor output at 15% duty factor	(kW)	1.2 (10%)	2.2 (10%)	1.2
39	Battery voltage/capacity at 5-hour discharge	(V/Ah)	24 / 250-375 ⁽³⁾	24 / 375	24 / 375-500 ⁽⁴⁾
40	Battery weight	(kg)	212-294	315	291-380
Miscellaneous					
41	Type of drive control		Stepless	Stepless	Stepless
42	Noise level, mean value at operators ear (EN12053)	dB(A)	66	68	65

Continuing improvement may lead to changes in these specifications.

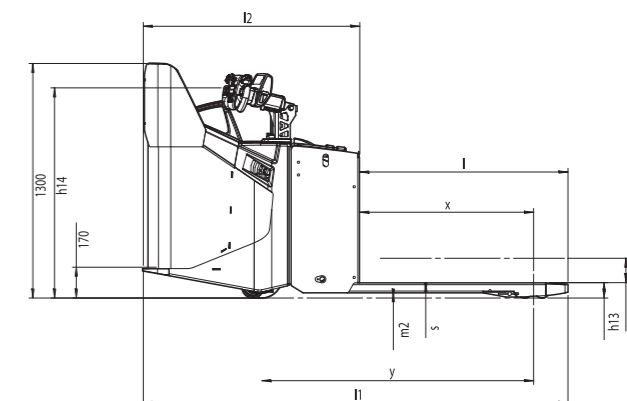
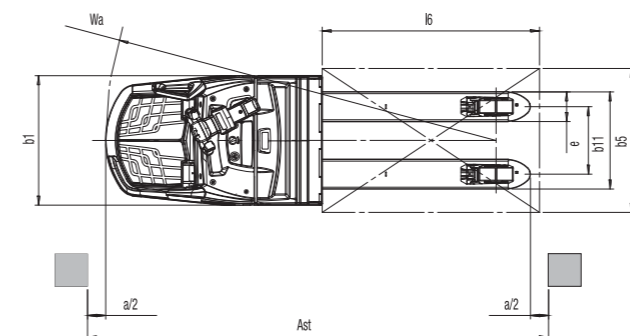
(1) Optional: higher travel speed (12 km/h) with loads up to 600 kg. (2) D2000. (3) With 375 Ah battery the l2 dimension increases 72 mm.

(4) With 500 Ah battery the l2 dimension increases 72 mm.

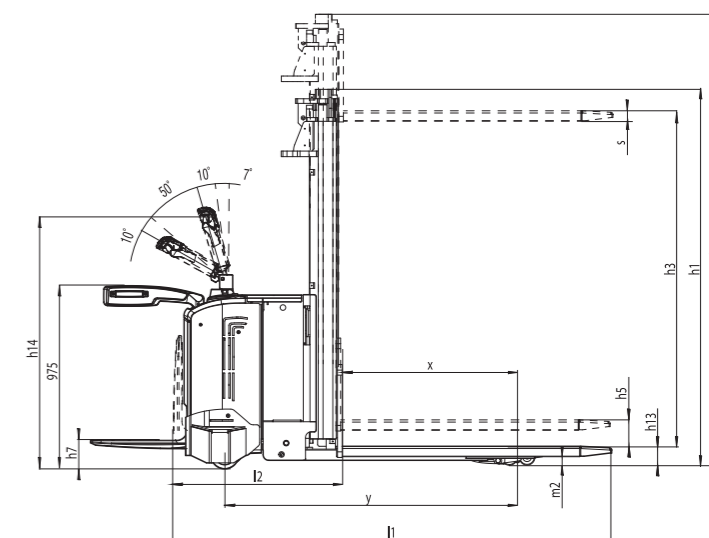
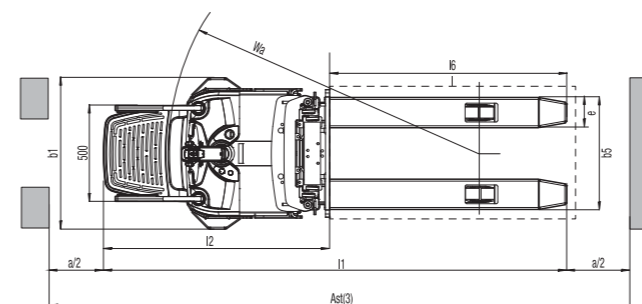
PBV20N2



PBF25N2



PBV20ND



Ast = Working aisle width
 Ast3 = Working aisle width (b12 < 1000 mm)
 $Ast = Wa + \sqrt{(l6 - x)^2 + (b12 / 2)^2} + a$
 Ast3 = $Wa + l6 - x + a$
 Wa = Turning radius

l6 = Pallet length
 x = Load wheel axle to fork face
 b12 = Pallet width
 a = Safety clearance = 2 x 100 mm

		PBV20ND			
Mast type		h3 + h13mm	h1mm*	h4mm*	h2 + h13mm
Duplex	1600	1371	2101	(155)	
	2000	1571	2501	(155)	