

MLT-X735

TECHNICAL DATA SHEET



 **MANITOU**

www.manitou.com

MLT-X735

	MLT-X 735 TLSU	MLT-X 735-120 LSU
	Lifting capacity at 500 mm from fork heels	
	3500 kg	
	Break-out force	3600 daN / 3700 daN
	Lifting height	
	6.90 m	
	Time: laden/unladen (in sec)	
	Lifting	7.30/7.50 / 6.70/7.30
	Lowering	5.60/5.60 / 4.80/4.60
	Extension	8.20/8.30 / 7.10/7.30
	Retraction	6.60/6.80 / 5.70/5.50
	Crowd	3.20 / 2.00
	Dump	2.70 / 2.30
	Tyres	
	460/70 R24	
	Forks (mm)	
	Length x width x thickness	1200 x 125 x 45
	Carriage rotation	146°
	Braking	
	multiple-disk brake with oil bath on front and rear axles	
	PERKINS STAGE III A engine	
	1104D-44TA	1104E-44TA
	Cubic capacity	
	4 cyl. Turbo/4400 cm³	
	Power at 2200 rpm (ISO/TR 14396)	101 HP/74.5 kW / 124 HP/91 kW
	Max. torque at 1400 rpm (ISO/TR 14396)	410 Nm / 490 Nm
	Injection	direct
	Cooling	water
	Transmission	
	torque converter	
	Gearbox	Powershuttle
	Number of gears (forward/reverse)	4/4
	Max. travel speed	35 kph*
	Hydraulics	
	110 l/min - 270 bar	150 l/min - 270 bar
	Piston pump	variable cubic capacity / electronically controlled variable cubic capacity
	Control valve	DDIC
	Capacities	
	Hydraulic oil	135 l
	Fuel	120 l
	Unladen weight (with forks)	
	7075 kg	7100 kg
	Width overall	2.40 m
	Height overall	2.30 m
	Length overall	4.87 m
	Turning radius (outer wheels)	3.77 m
	Ground clearance	0.44 m
	Drawbar pull	up to 8770 daN
	Noise at driving position (LpA)	79 dB
	Environmental noise (LwA)	106 dB
	Vibration to whole hand/arm	< 2.5 m/s²

mm	
A	1200
B	2810
C	1191.4
C1	1287
D	4790.4
D1	4886

D2	4165
E	5990.4
F	1935
F1	1935
G	450
G1	435
G2	435

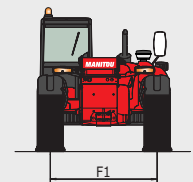
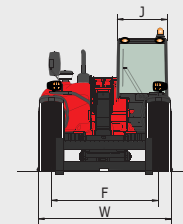
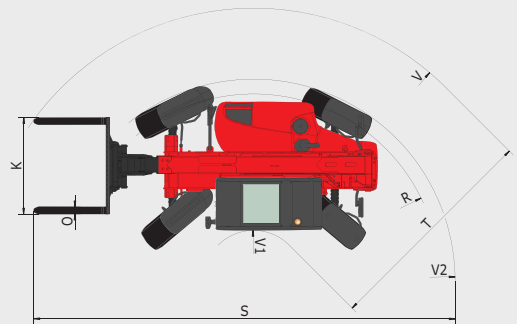
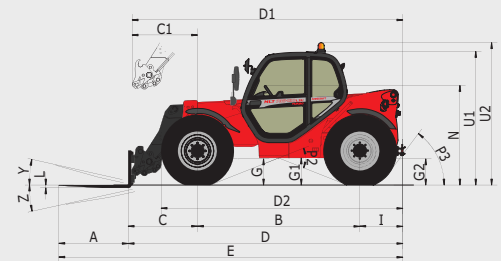
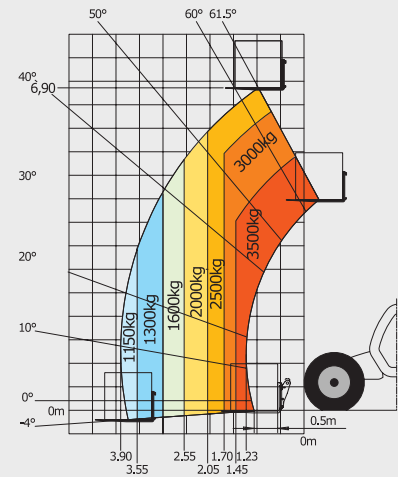
I	789
J	980
K	1260
L	45
N	1715
O	125
P2	38°

P3	53°
R	3685
S	7714.9
T	3575
U1	2295
U2	2545
V	4885

V1	1310
V2	3918.5
W	2402
Y	12.5°
Z	133.7°

Maximum height reach: 1.03 m

As per standard EN 1459 annex B



This brochure describes versions and configuration options for Manitou products which may be fitted with different equipment. The equipment described in this brochure may be standard, optional or not available depending on version. Manitou reserves the right to change the specifications shown and described at any time and without prior warning. The manufacturer is not liable for the specifications given. For more information, contact your Manitou dealer. Non-contractual document. Product descriptions may differ from actual products. List of specifications is not comprehensive. The logos and visual identity of the company are the property of Manitou and may not be used without authorisation. All rights reserved. The photos and diagrams contained in this brochure are provided for information only.

MANITOU BF SA - Limited company with board of directors - Share capital: 39,547,824 euros - 857 802 508 RCS Nantes

